

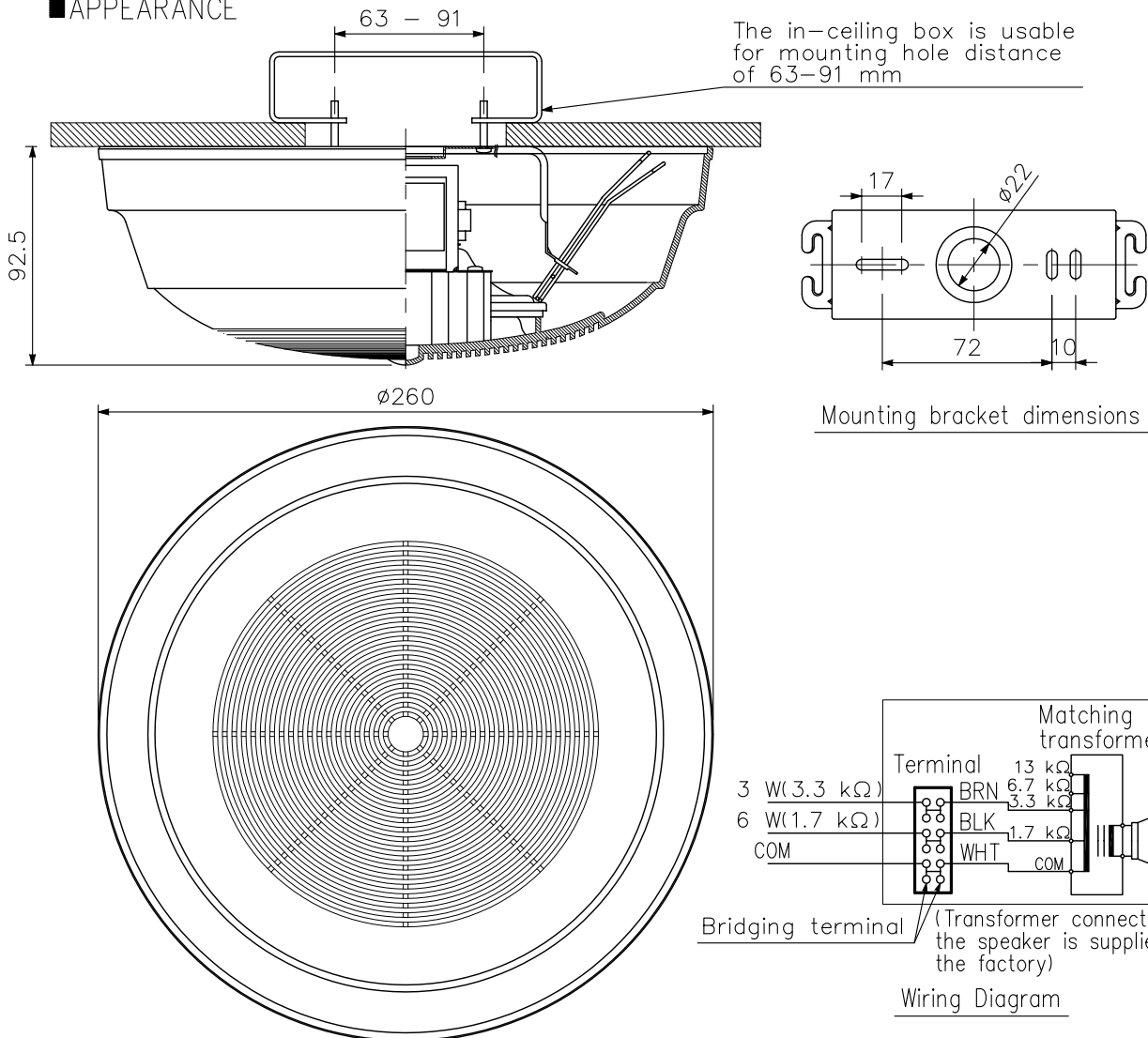
DESCRIPTION

The PC-2668 speaker can be mounted (exposed installation) to the ceiling where flush mounting is impossible. It can be easily installed thanks to its spring catch method. Push-in connector allows quick wire connection, and speaker lines can be bridged by bridging terminals. The supplied bracket can be mounted to a flush-mount pull box.

SPECIFICATIONS

Rated Input	6 W (for 100 V Line), 3 W (for 70 V Line)
Rated Impedance	100 V Line: 1.7 kΩ (6 W), 3.3 kΩ (3 W), (6.7 kΩ (1.5 W), 13 kΩ (0.8 W): Internal wiring must be changed) 70 V line: 1.7 kΩ (3 W), 3.3 kΩ (1.5 W), (6.7 kΩ (0.8 W), 13 kΩ (0.4 W): Internal wiring must be changed)
Sound Pressure Level	90 dB (1 W, 1 m, 330 Hz – 3.3 kHz Pink noise)
Frequency Response	100 Hz – 16 kHz
Speaker Component	12 cm dynamic cone-type speaker
Speaker Mounting Method	Spring catch Applicable Cable 600 V Vinyl-insulated cable (IV wire or HIV wire) Solid copper wire: $\phi 0.8 - \phi 1.2$ mm 7-core twisted copper wire: 0.75 – 1.25 mm ²
Connection	Push-in connector (Bridging terminal-2 branch type)
Finish	Baffle: ABS resin, off-white (RAL 9010 or equivalent color)
Dimensions	$\phi 260 \times 92$ (D) (Exposed section) mm
Weight	820 g (Bracket included)

APPEARANCE



UNIT:mm SCALE:1/3

[Note] Use transformer terminals when changing input impedance.